



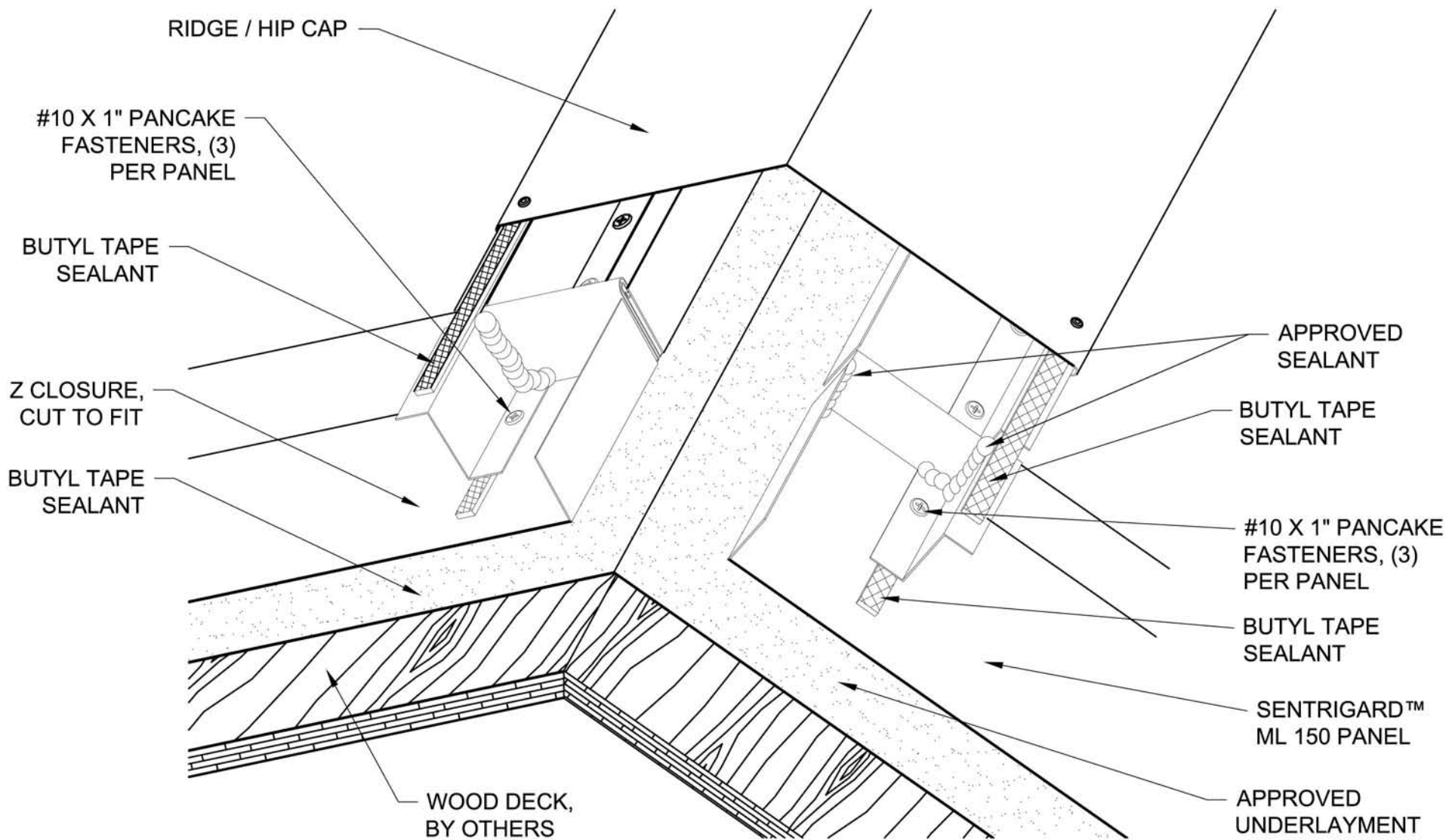
SENTRIGARD ML 150

4M Metals Inc.

201 Red Oaks Way

Ridgeland, SC 29936

tel: 843-208-2433 • fax: 843-208-2430



Project:

Contractor:

Designer:

Date:

Scale:
N/A

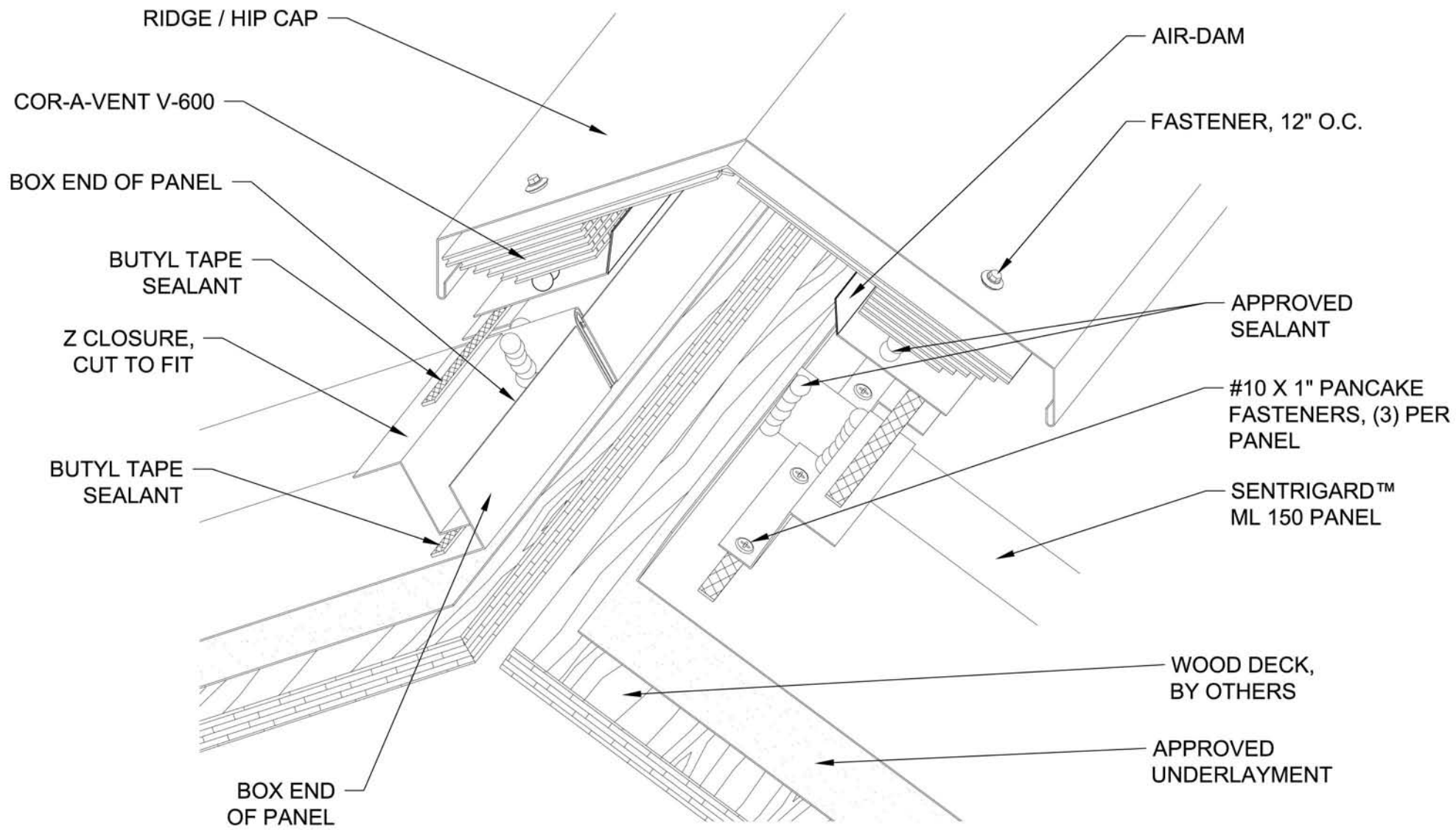
THIS DRAWING IS THE PROPERTY OF N.B. HANDY CO., INC. THE USE OF THIS DRAWING WITHOUT THE EXPRESS PERMISSION OF N.B. HANDY IS PROHIBITED.

4M Metals Inc.

201 Red Oaks Way
Ridgeland, SC 29936

tel: 843-208-2433 • fax: 843-208-2430

SENTRIGARD ML 150 HR-1



Project: _____

Contractor: _____

Designer: _____

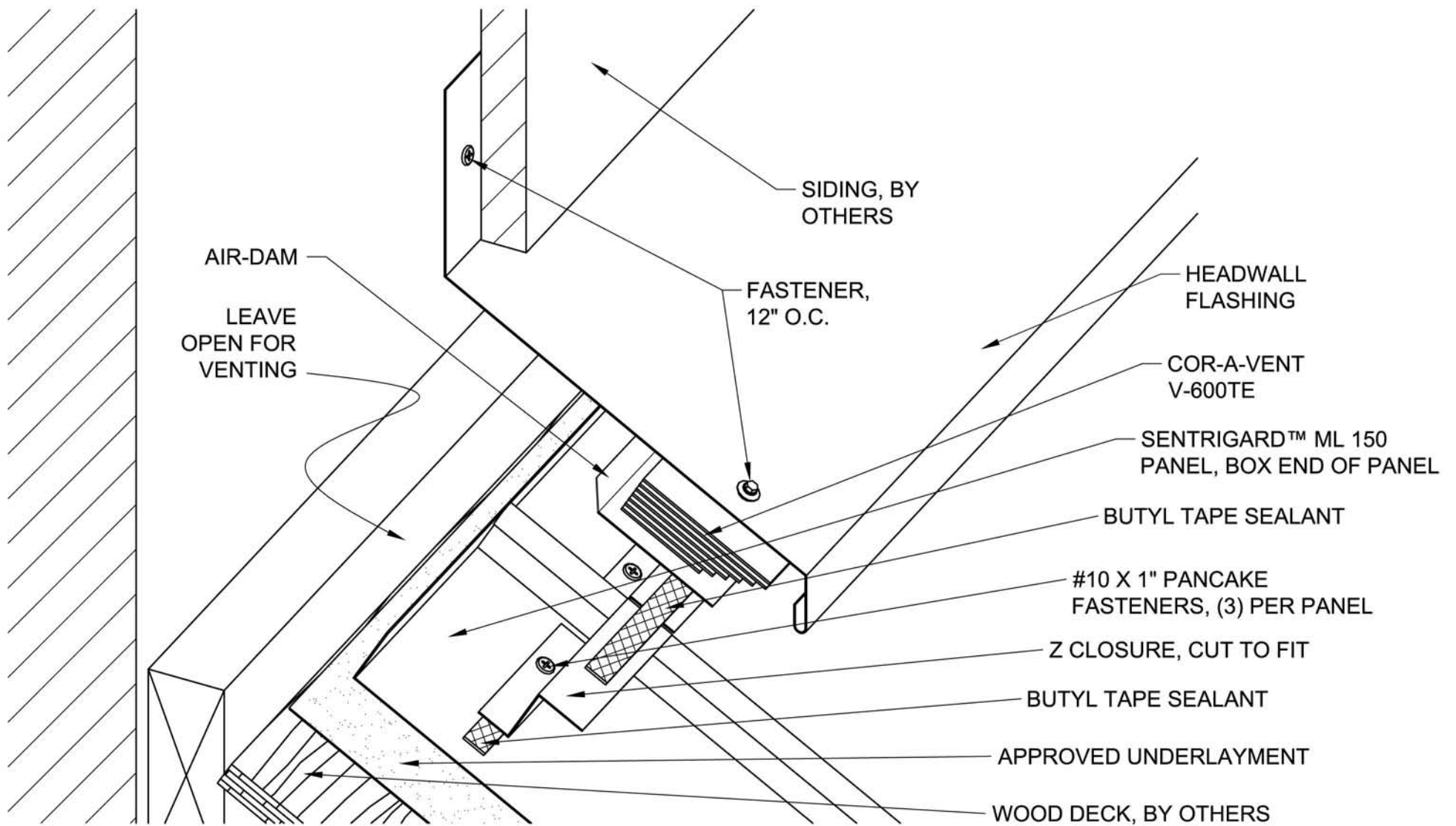
Date: _____

Scale: N/A

THIS DRAWING IS THE PROPERTY OF N.B. HANDY CO., INC. THE USE OF THIS DRAWING WITHOUT THE EXPRESS PERMISSION OF N.B. HANDY IS PROHIBITED.

4M Metals Inc.
 201 Red Oaks Way
 Ridgeland, SC 29936
 tel: 843-208-2433 • fax: 843-208-2430

SENTRIGARD ML 150 VR-1

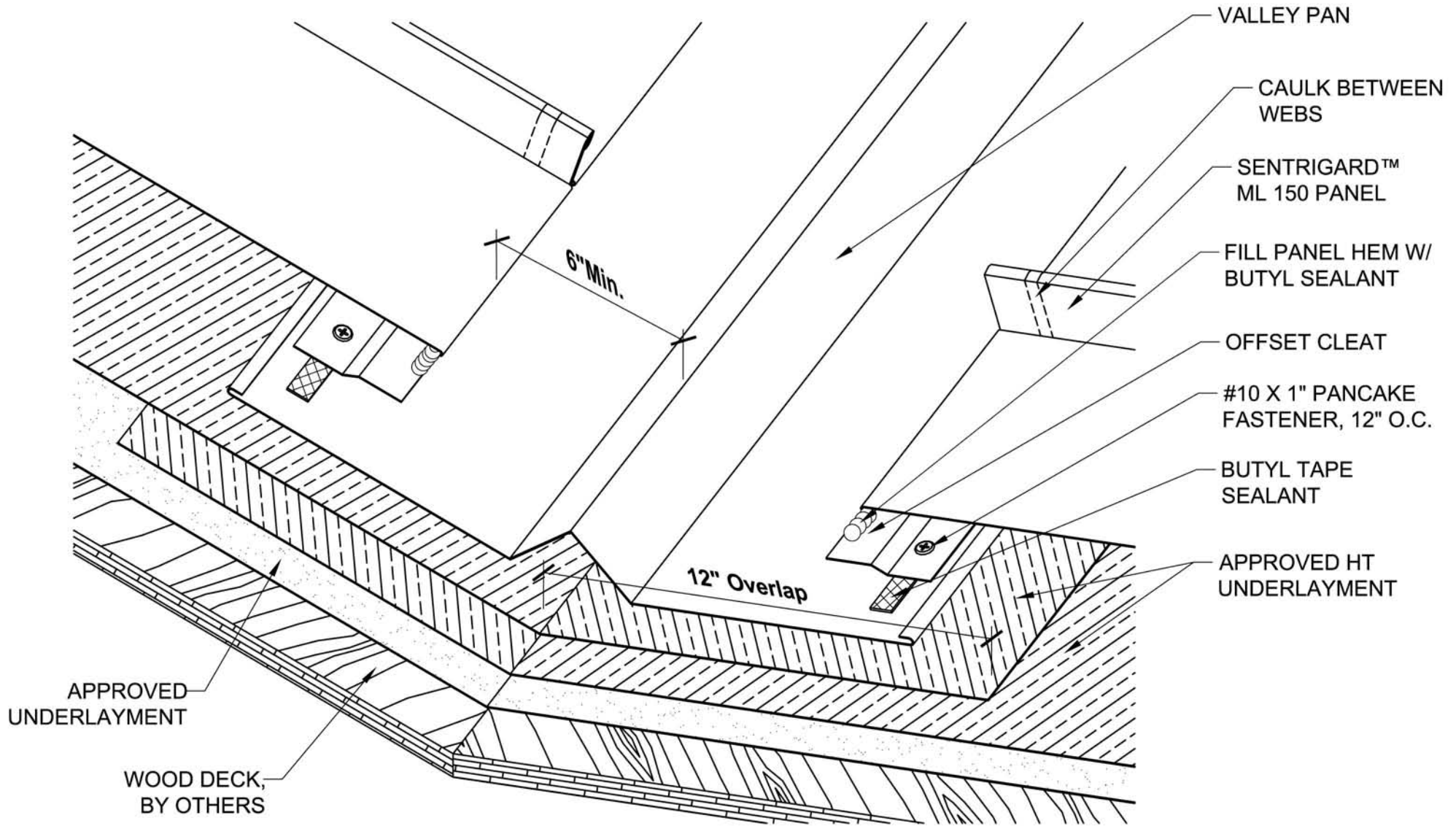


Project:		
Contractor:		
Designer:	Date:	Scale:
		N/A

THIS DRAWING IS THE PROPERTY OF N.B. HANDY CO., INC. THE USE OF THIS DRAWING WITHOUT THE EXPRESS PERMISSION OF N.B. HANDY IS PROHIBITED.

4M Metals Inc.
 201 Red Oaks Way
 Ridgeland, SC 29936
 tel: 843-208-2433 • fax: 843-208-2430

SENTRIGARD ML 150 VH-1



Project:

Contractor:

Designer:

Date:

Scale:
N/A

THIS DRAWING IS THE PROPERTY OF N.B. HANDY CO., INC. THE USE OF THIS DRAWING WITHOUT THE EXPRESS PERMISSION OF N.B. HANDY IS PROHIBITED.

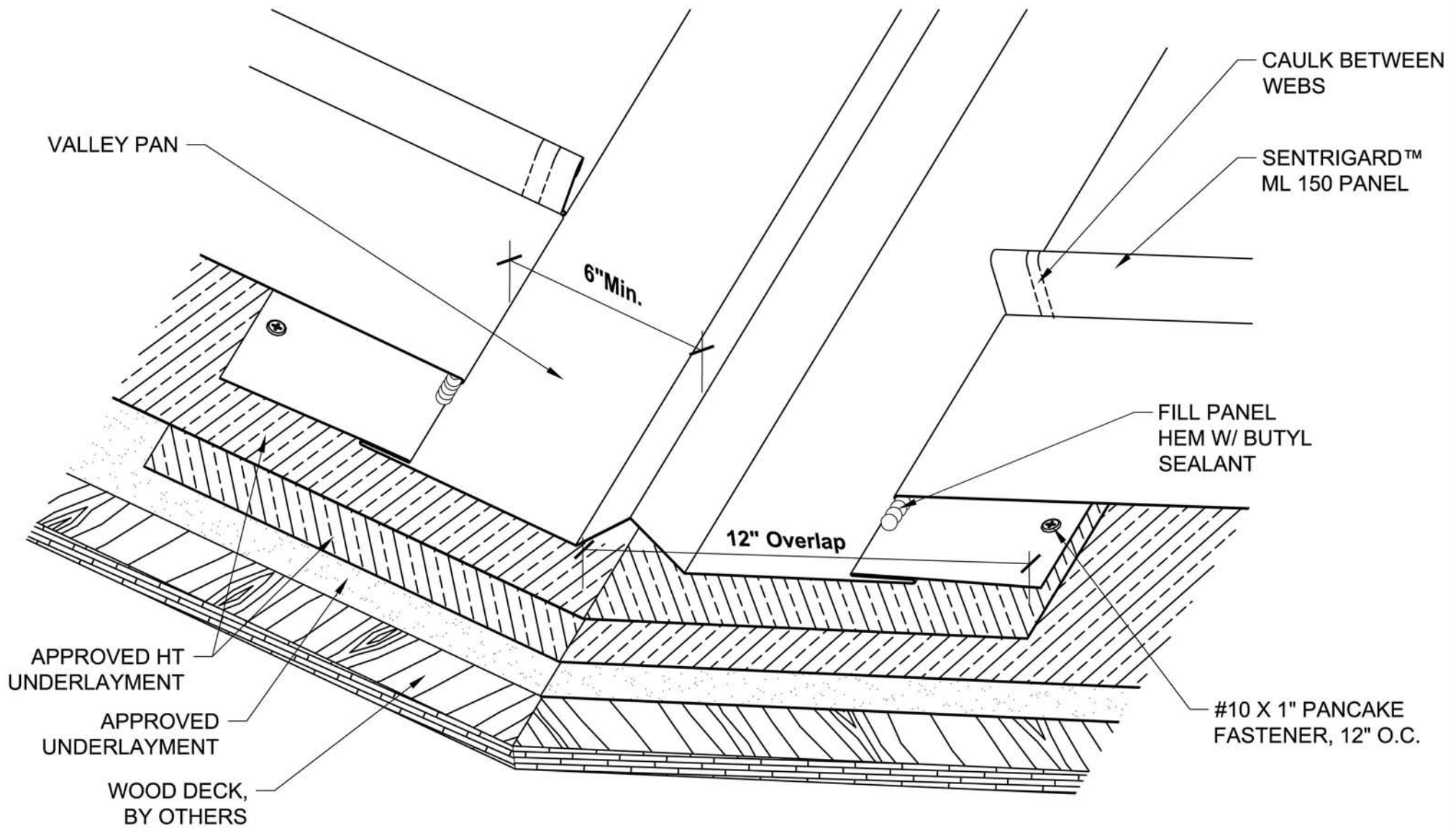
4M Metals Inc.

201 Red Oaks Way
Ridgeland, SC 29936

tel: 843-208-2433 • fax: 843-208-2430

SENTRIGARD ML 150

V-1

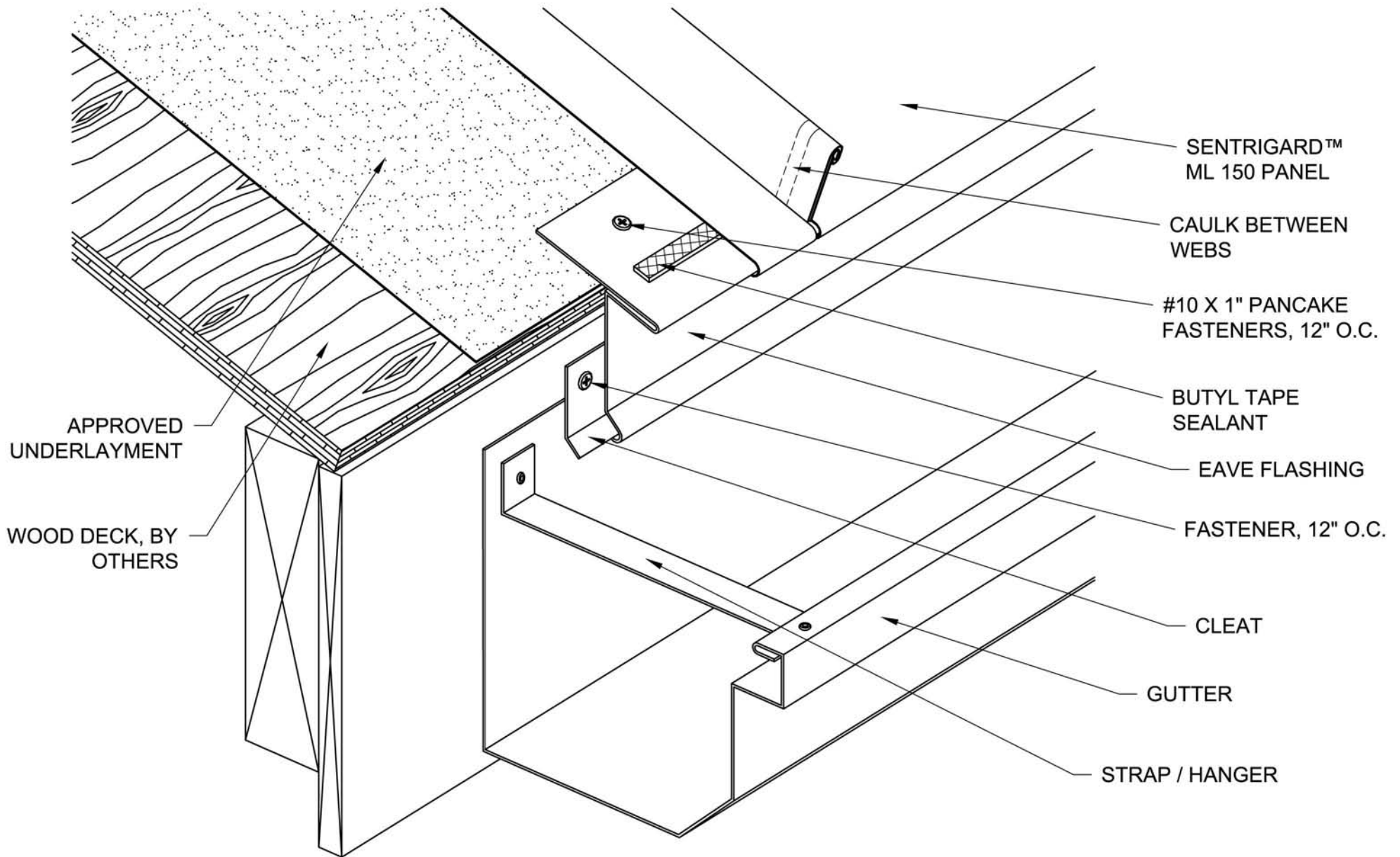


Project:		
Contractor:		
Designer:	Date:	Scale:
		N/A

THIS DRAWING IS THE PROPERTY OF N.B. HANDY CO., INC. THE USE OF THIS DRAWING WITHOUT THE EXPRESS PERMISSION OF N.B. HANDY IS PROHIBITED.

4M Metals Inc.
 201 Red Oaks Way
 Ridgeland, SC 29936
 tel: 843-208-2433 • fax: 843-208-2430

SENTRIGARD ML 150 V-2

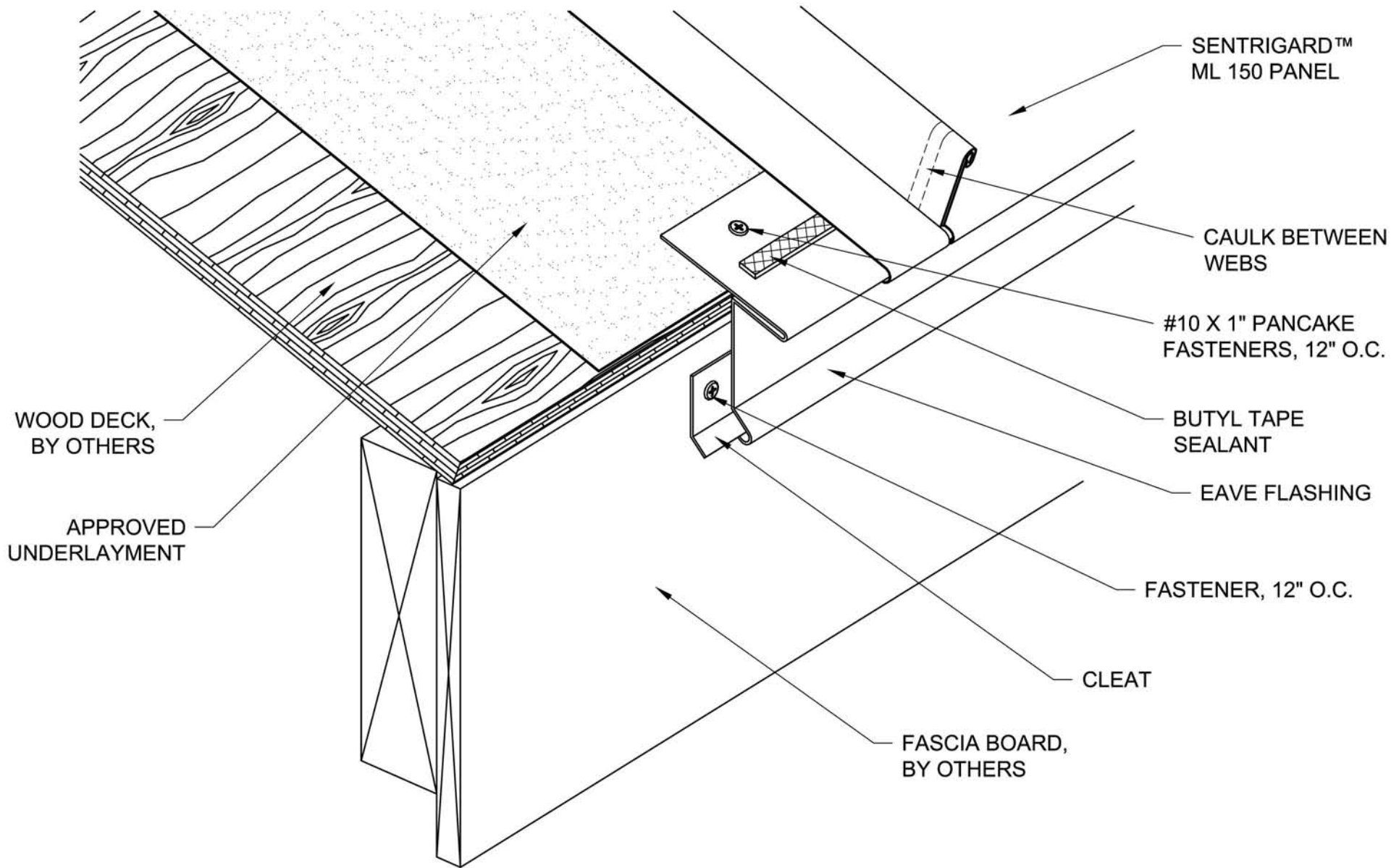


Project:		
Contractor:		
Designer:	Date:	Scale:
		N/A

THIS DRAWING IS THE PROPERTY OF N.B. HANDY CO., INC. THE USE OF THIS DRAWING WITHOUT THE EXPRESS PERMISSION OF N.B. HANDY IS PROHIBITED.

4M Metals Inc.
 201 Red Oaks Way
 Ridgeland, SC 29936
 tel: 843-208-2433 • fax: 843-208-2430

SENTRIGARD ML 150 EG-1



Project:

Contractor:

Designer:

Date:

Scale:
N/A

THIS DRAWING IS THE PROPERTY OF N.B. HANDY CO., INC. THE USE OF THIS DRAWING WITHOUT THE EXPRESS PERMISSION OF N.B. HANDY IS PROHIBITED.

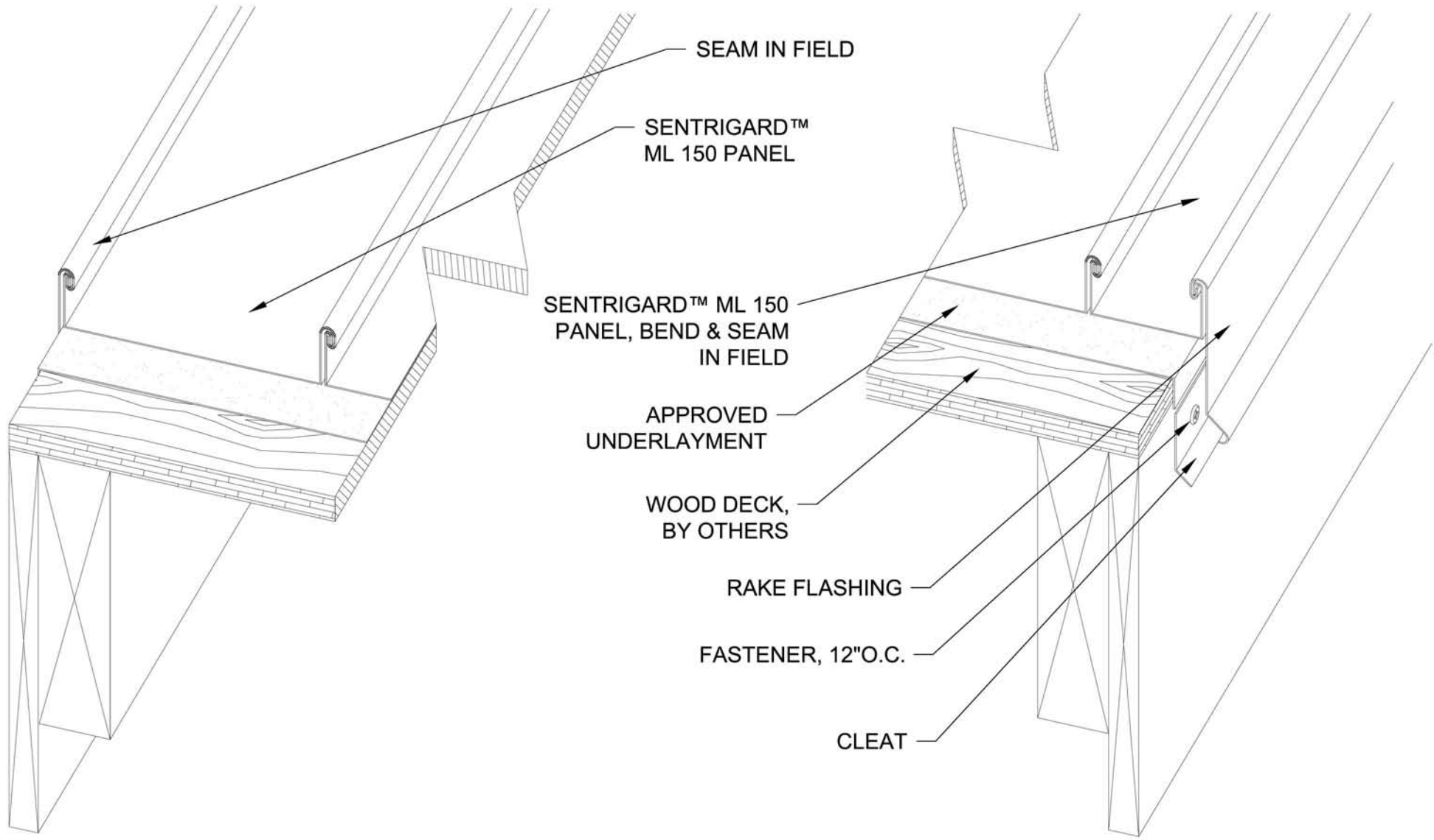
4M Metals Inc.

201 Red Oaks Way
Ridgeland, SC 29936

tel: 843-208-2433 • fax: 843-208-2430

SENTRIGARD ML 150

E-1



Project:

Contractor:

Designer:

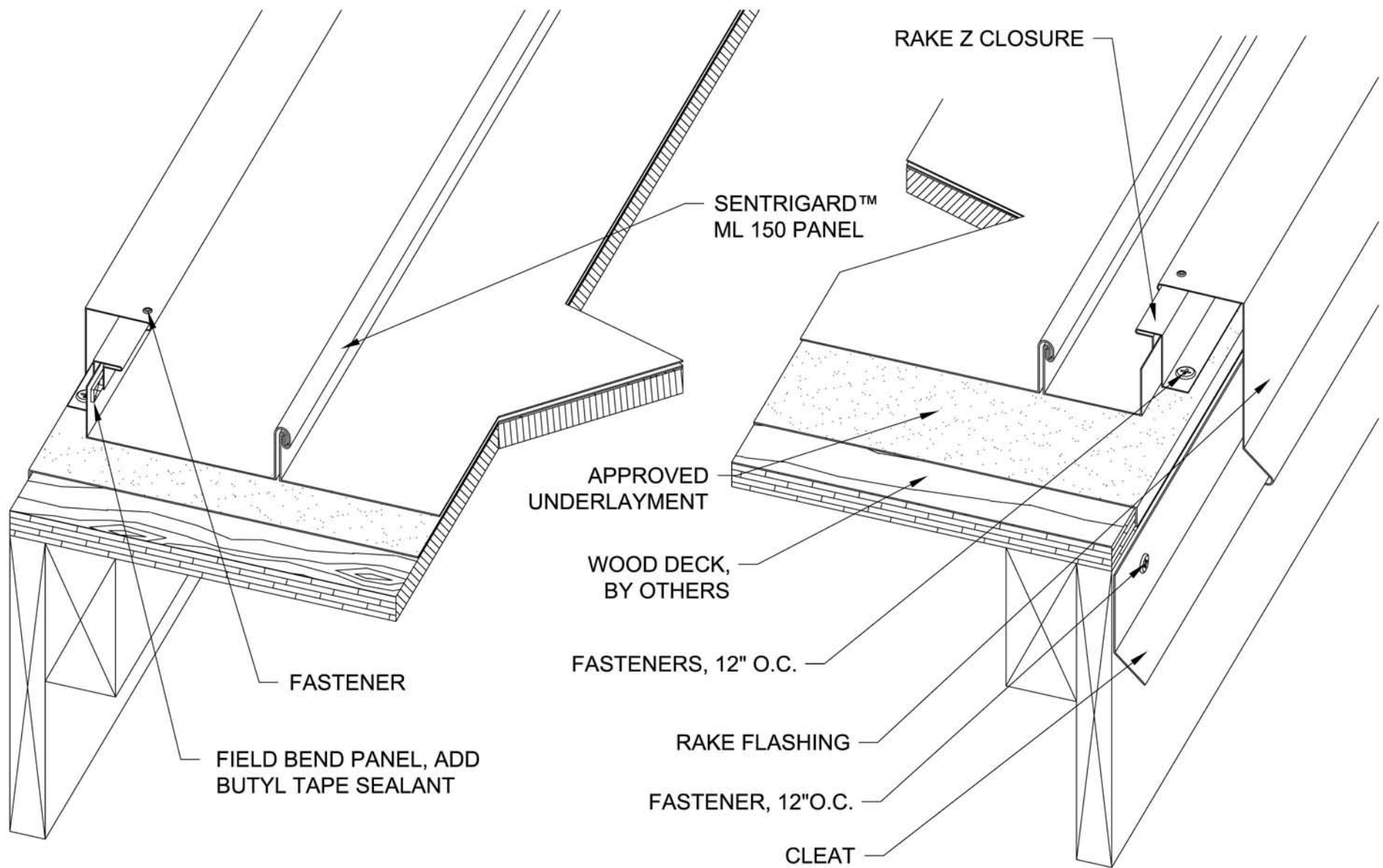
Date:

Scale:
N/A

THIS DRAWING IS THE PROPERTY OF N.B. HANDY CO., INC. THE USE OF THIS DRAWING WITHOUT THE EXPRESS PERMISSION OF N.B. HANDY IS PROHIBITED.

4M Metals Inc.
201 Red Oaks Way
Ridgeland, SC 29936
tel: 843-208-2433 • fax: 843-208-2430

SENTRIGARD ML 150 RK-1



Project:

Contractor:

Designer:

Date:

Scale:
N/A

THIS DRAWING IS THE PROPERTY OF N.B. HANDY CO., INC. THE USE OF THIS DRAWING WITHOUT THE EXPRESS PERMISSION OF N.B. HANDY IS PROHIBITED.

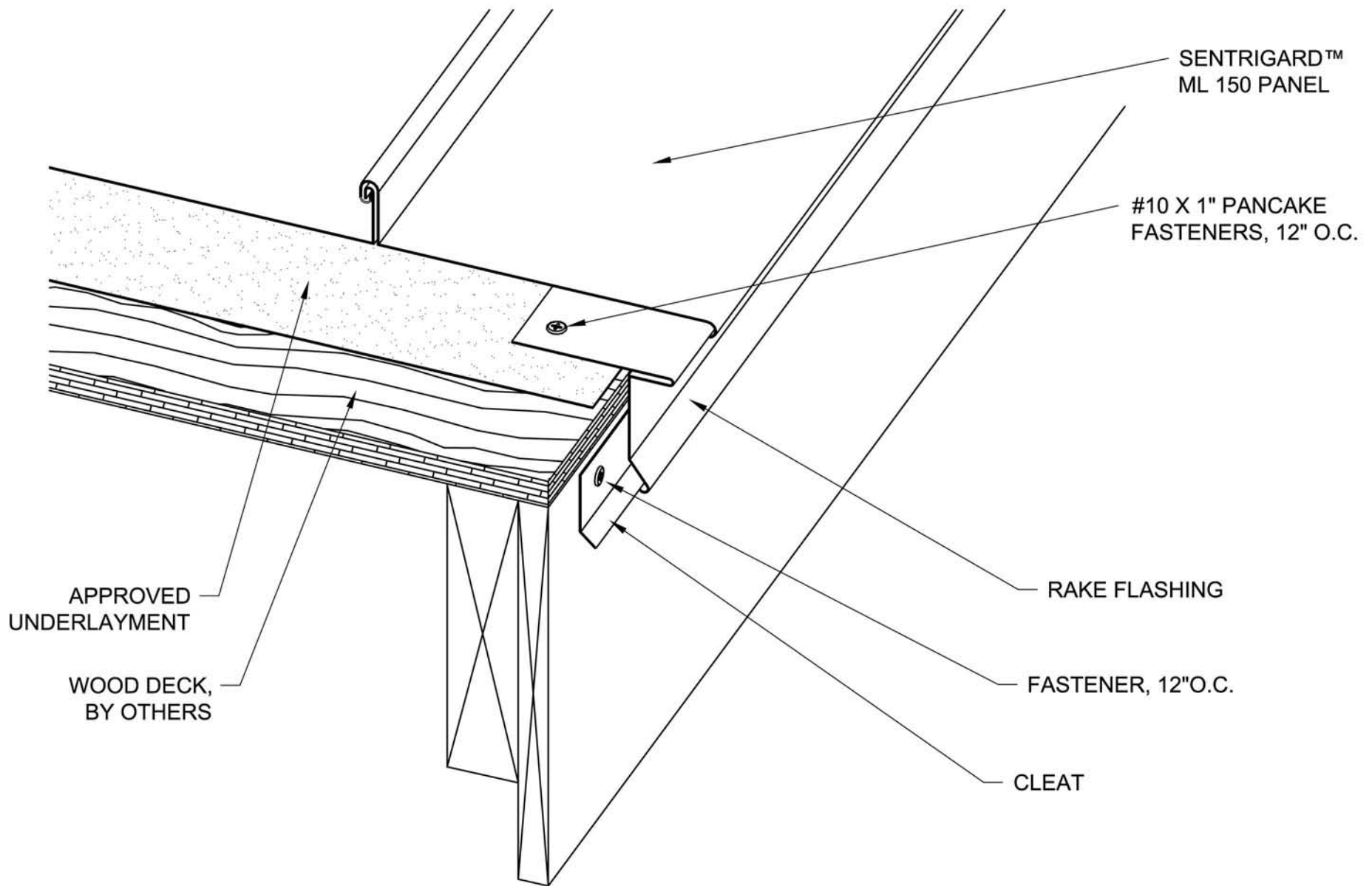
4M Metals Inc.

201 Red Oaks Way

Ridgeland, SC 29936

tel: 843-208-2433 • fax: 843-208-2430

SENTRIGARD ML 150 RK-2

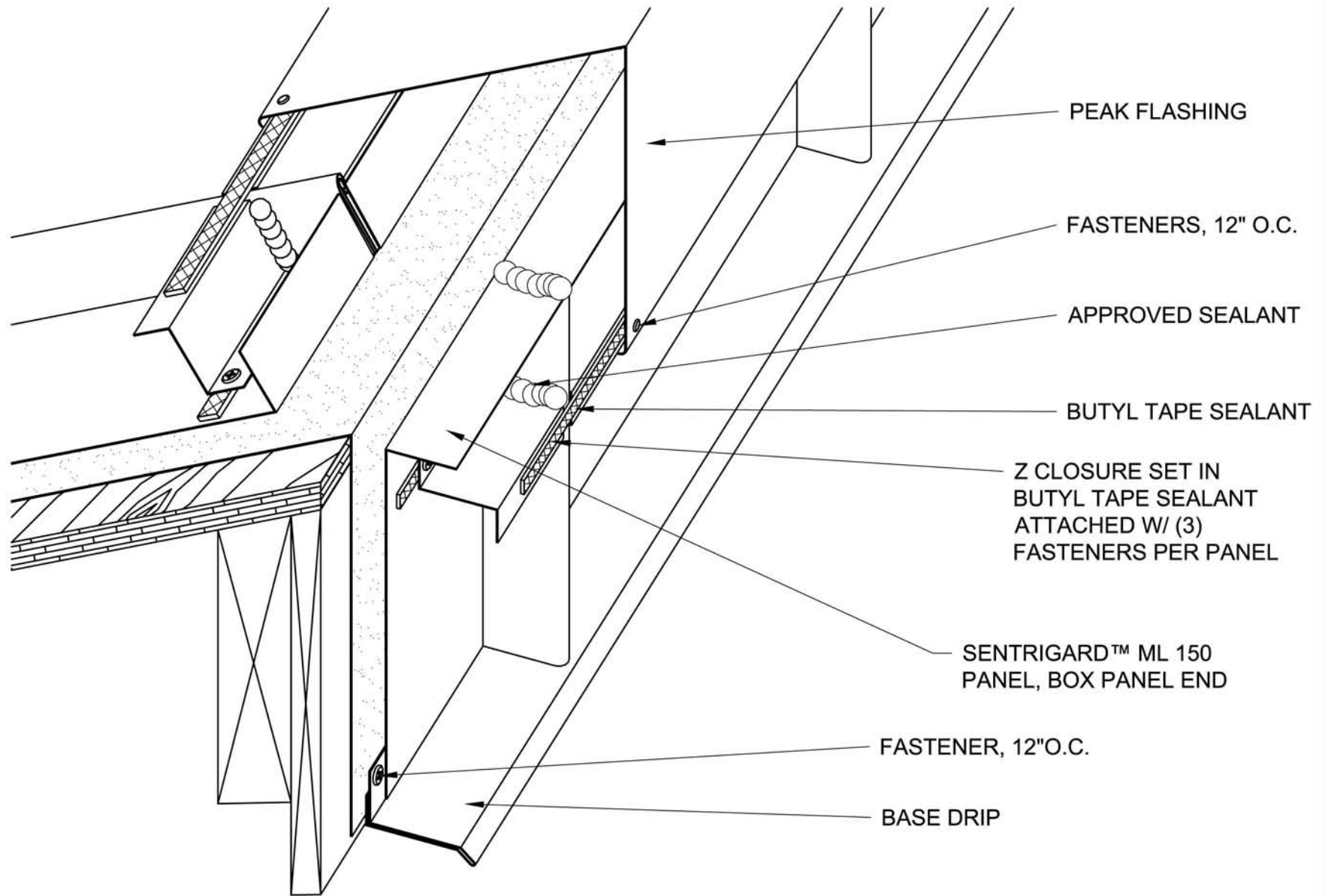


Project:		
Contractor:		
Designer:	Date:	Scale:
		N/A

THIS DRAWING IS THE PROPERTY OF N.B. HANDY CO., INC. THE USE OF THIS DRAWING WITHOUT THE EXPRESS PERMISSION OF N.B. HANDY IS PROHIBITED.

4M Metals Inc.
 201 Red Oaks Way
 Ridgeland, SC 29936
 tel: 843-208-2433 • fax: 843-208-2430

SENTRIGARD ML 150 RK-3



Project:

Contractor:

Designer:

Date:

Scale:
N/A

THIS DRAWING IS THE PROPERTY OF N.B. HANDY CO., INC. THE USE OF THIS DRAWING WITHOUT THE EXPRESS PERMISSION OF N.B. HANDY IS PROHIBITED.

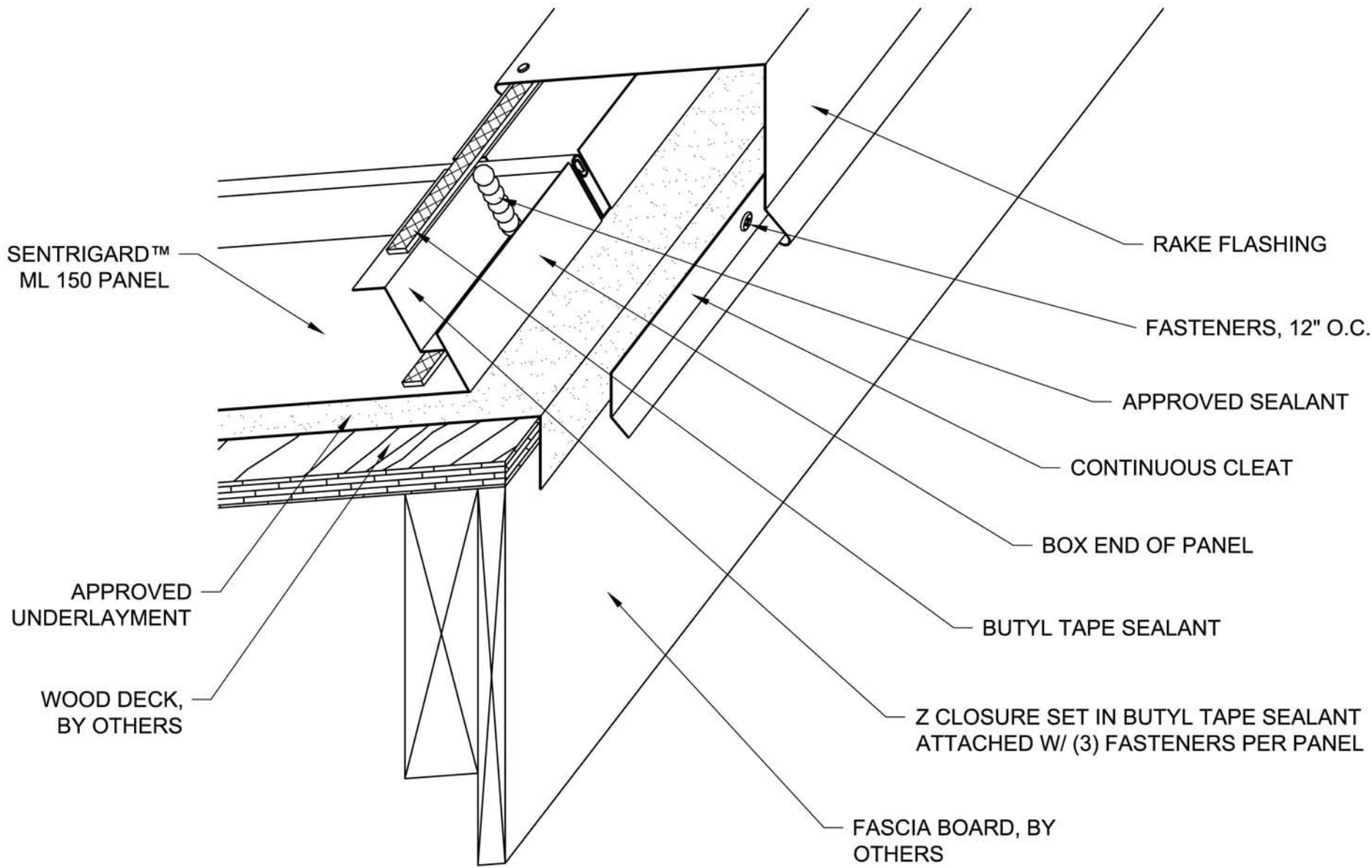
4M Metals Inc.

201 Red Oaks Way

Ridgeland, SC 29936

tel: 843-208-2433 • fax: 843-208-2430

SENTRIGARD ML 150 PK-1



Project:

Contractor:

Designer:

Date:

Scale:
N/A

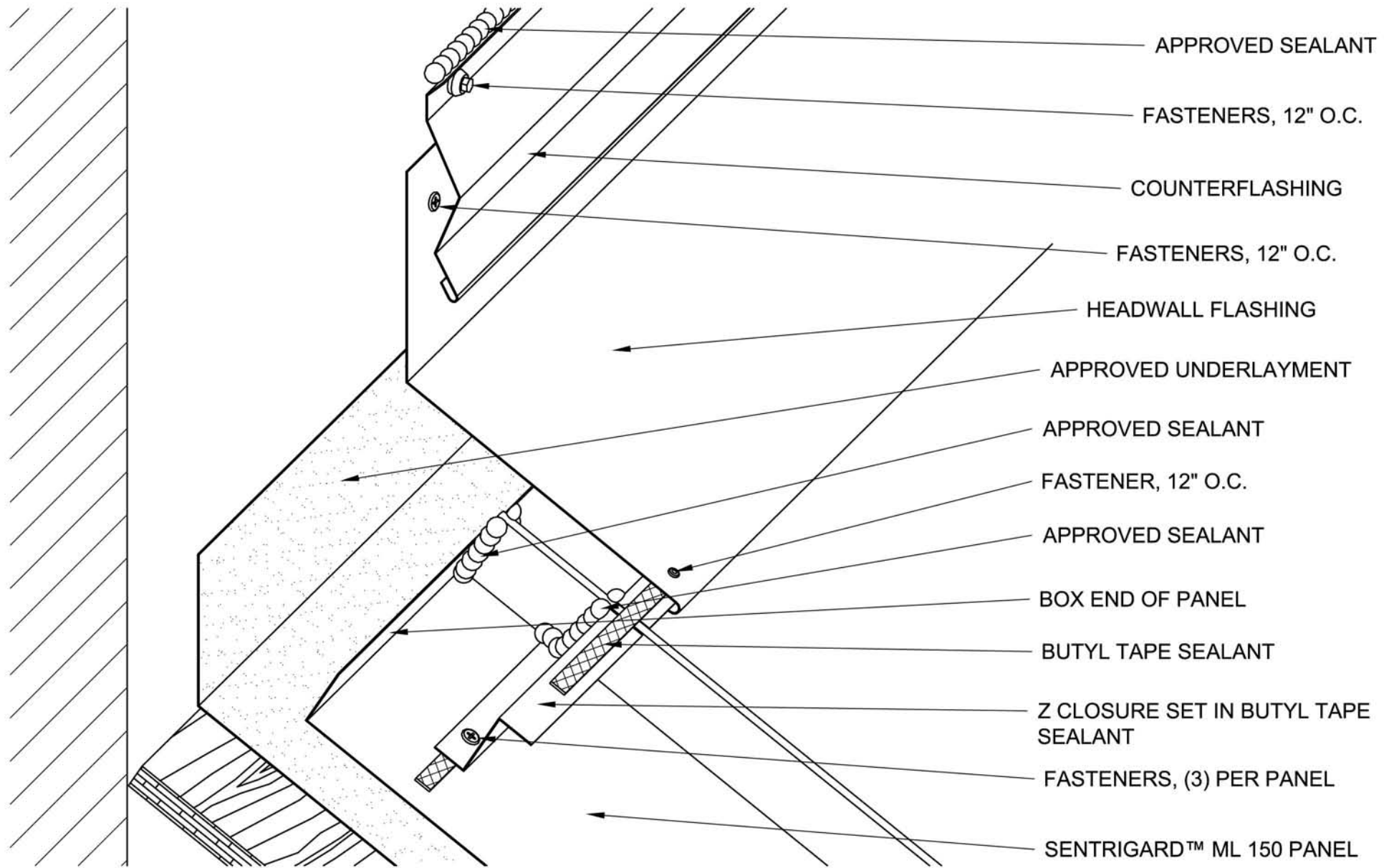
THIS DRAWING IS THE PROPERTY OF N.B. HANDY CO., INC. THE USE OF THIS DRAWING WITHOUT THE EXPRESS PERMISSION OF N.B. HANDY IS PROHIBITED.

4M Metals Inc.

201 Red Oaks Way
Ridgeland, SC 29936

tel: 843-208-2433 • fax: 843-208-2430

SENTRIGARD ML 150 PK-2



Project:

Contractor:

Designer:

Date:

Scale:
N/A

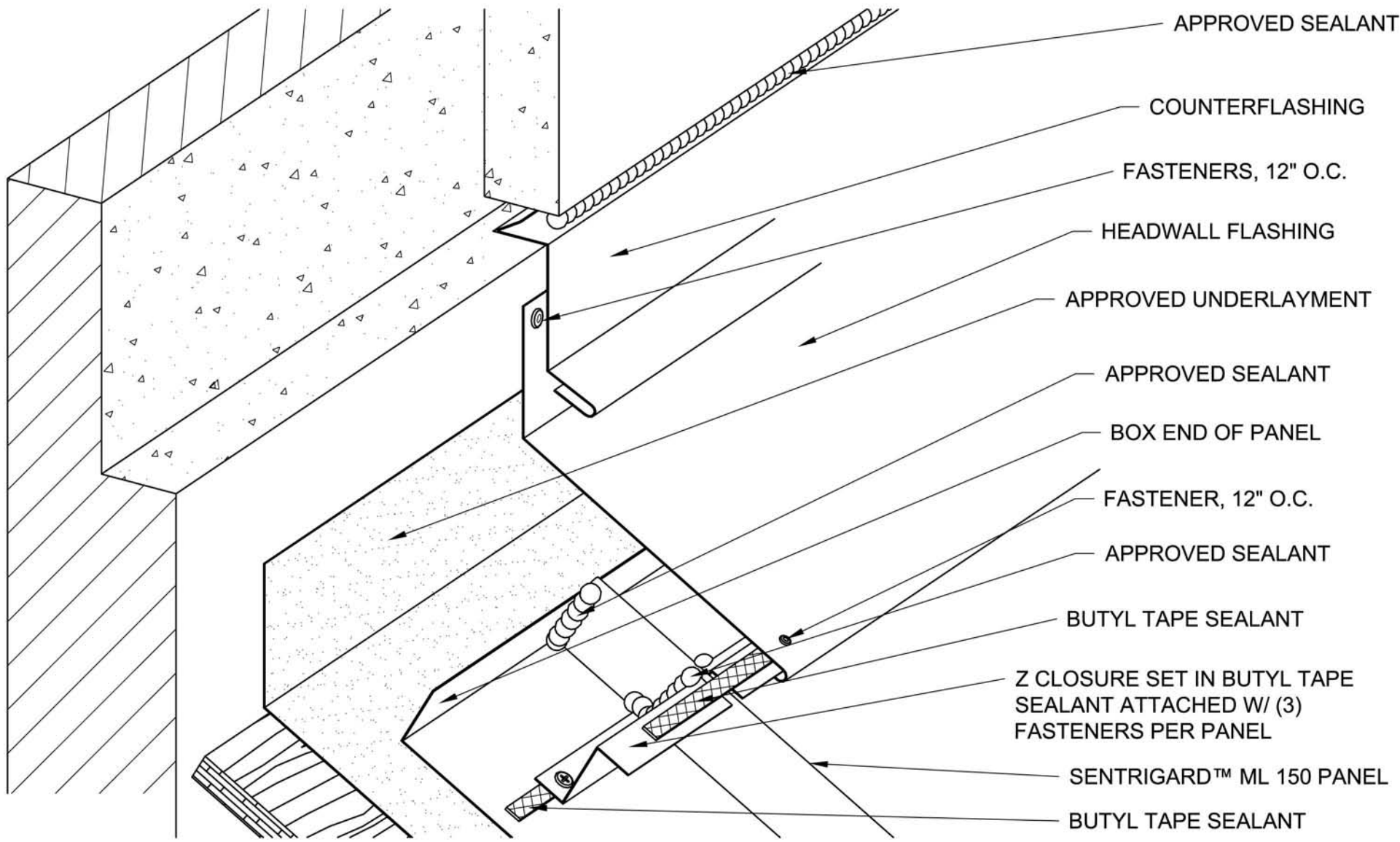
THIS DRAWING IS THE PROPERTY OF N.B. HANDY CO., INC. THE USE OF THIS DRAWING WITHOUT THE EXPRESS PERMISSION OF N.B. HANDY IS PROHIBITED.

4M Metals Inc.

201 Red Oaks Way
Ridgeland, SC 29936

tel: 843-208-2433 • fax: 843-208-2430

SENTRIGARD ML 150 HW-1

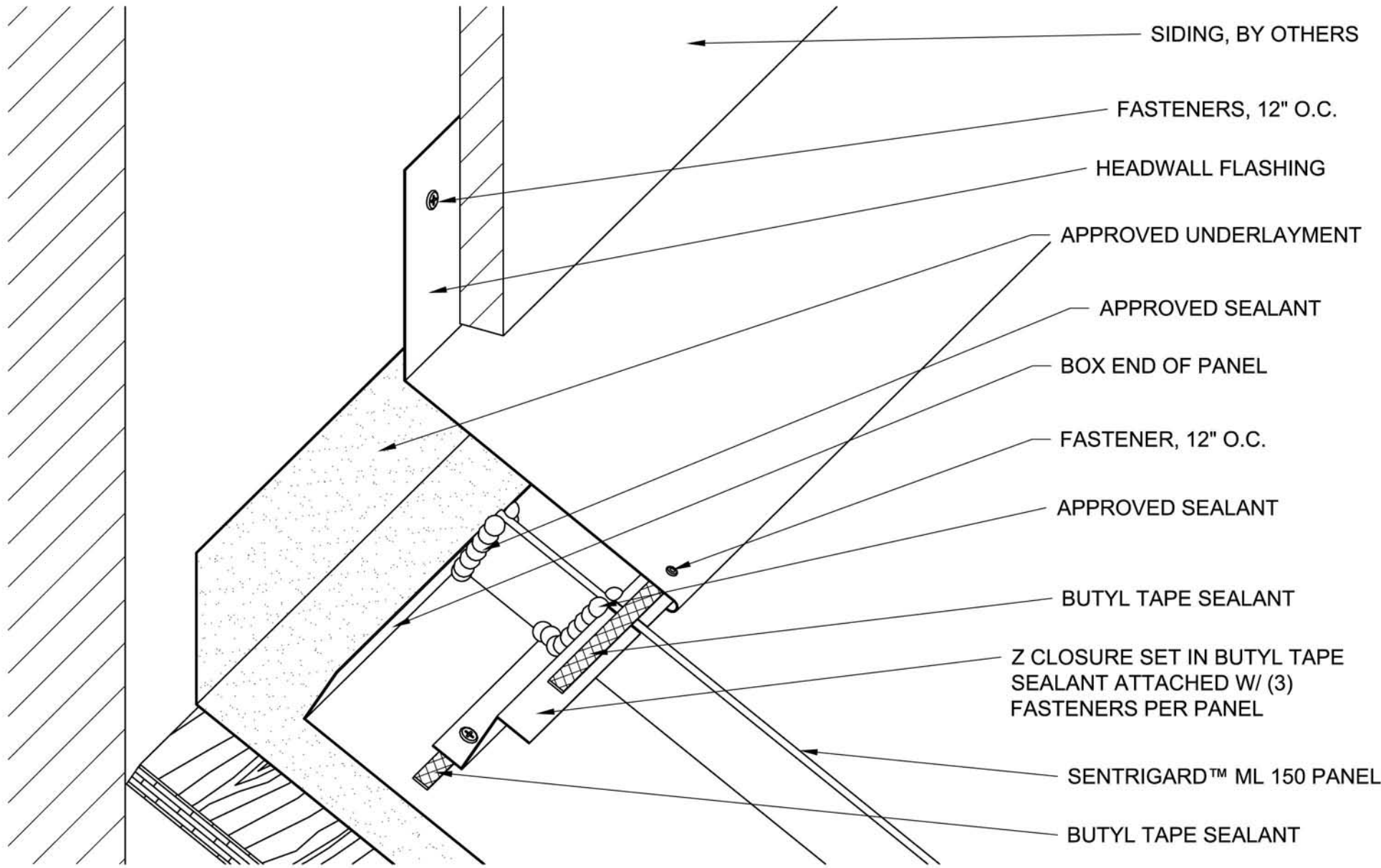


Project:		
Contractor:		
Designer:	Date:	Scale:
		N/A

THIS DRAWING IS THE PROPERTY OF N.B. HANDY CO., INC. THE USE OF THIS DRAWING WITHOUT THE EXPRESS PERMISSION OF N.B. HANDY IS PROHIBITED.

4M Metals Inc.
 201 Red Oaks Way
 Ridgeland, SC 29936
 tel: 843-208-2433 • fax: 843-208-2430

SENTRIGARD ML 150 HW-2



SIDING, BY OTHERS

FASTENERS, 12" O.C.

HEADWALL FLASHING

APPROVED UNDERLAYMENT

APPROVED SEALANT

BOX END OF PANEL

FASTENER, 12" O.C.

APPROVED SEALANT

BUTYL TAPE SEALANT

Z CLOSURE SET IN BUTYL TAPE SEALANT ATTACHED W/ (3) FASTENERS PER PANEL

SENTRIGARD™ ML 150 PANEL

BUTYL TAPE SEALANT



Project:

Contractor:

Designer:

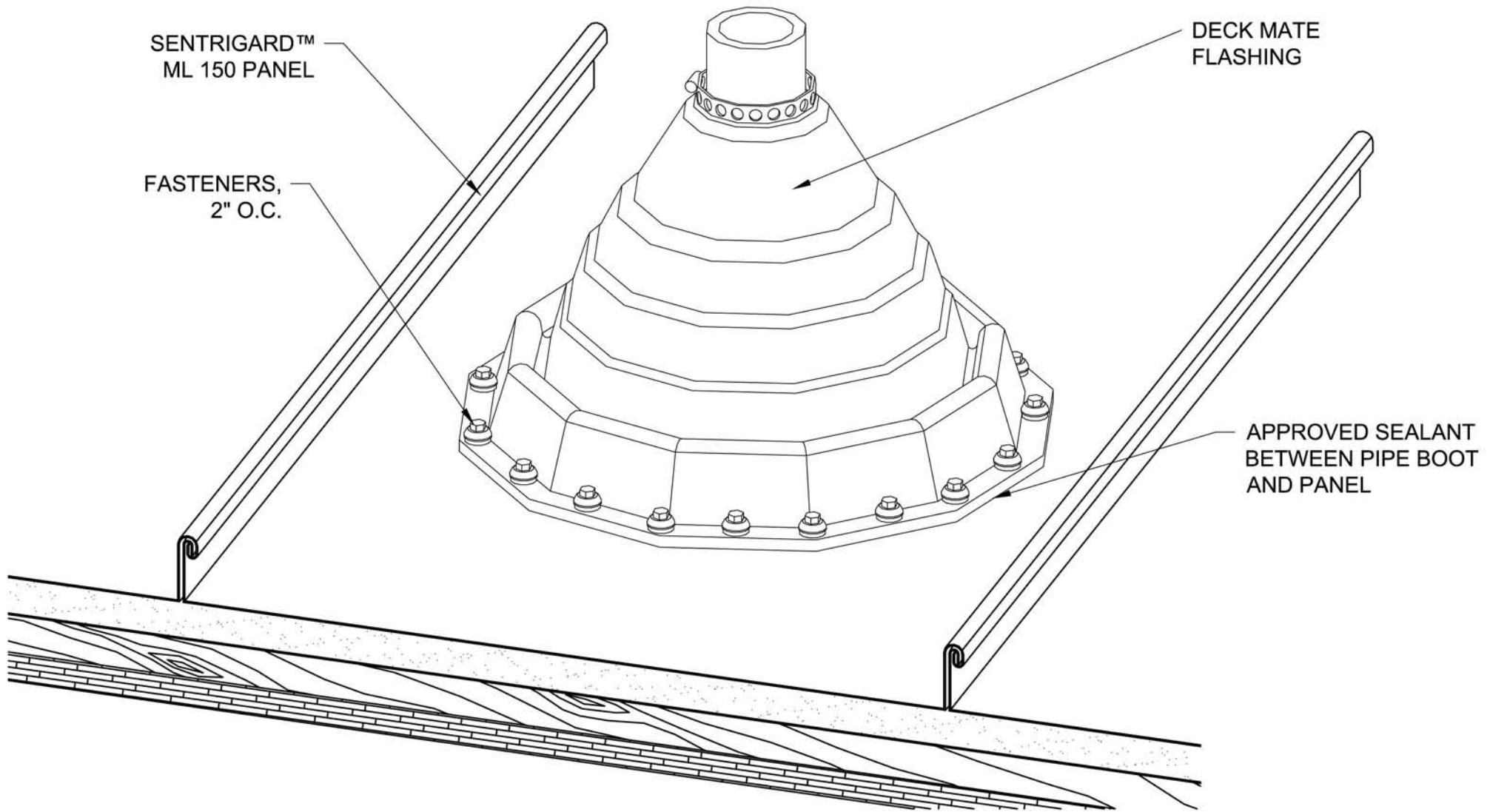
Date:

Scale:
N/A

THIS DRAWING IS THE PROPERTY OF N.B. HANDY CO., INC. THE USE OF THIS DRAWING WITHOUT THE EXPRESS PERMISSION OF N.B. HANDY IS PROHIBITED.

4M Metals Inc.
201 Red Oaks Way
Ridgeland, SC 29936
tel: 843-208-2433 • fax: 843-208-2430

SENTRIGARD ML 150 HW-3



Project:

Contractor:

Designer:

Date:

Scale:
N/A

THIS DRAWING IS THE
PROPERTY OF N.B. HANDY
CO., INC. THE USE OF THIS
DRAWING WITHOUT THE
EXPRESS PERMISSION OF
N.B. HANDY IS PROHIBITED.

4M Metals Inc.

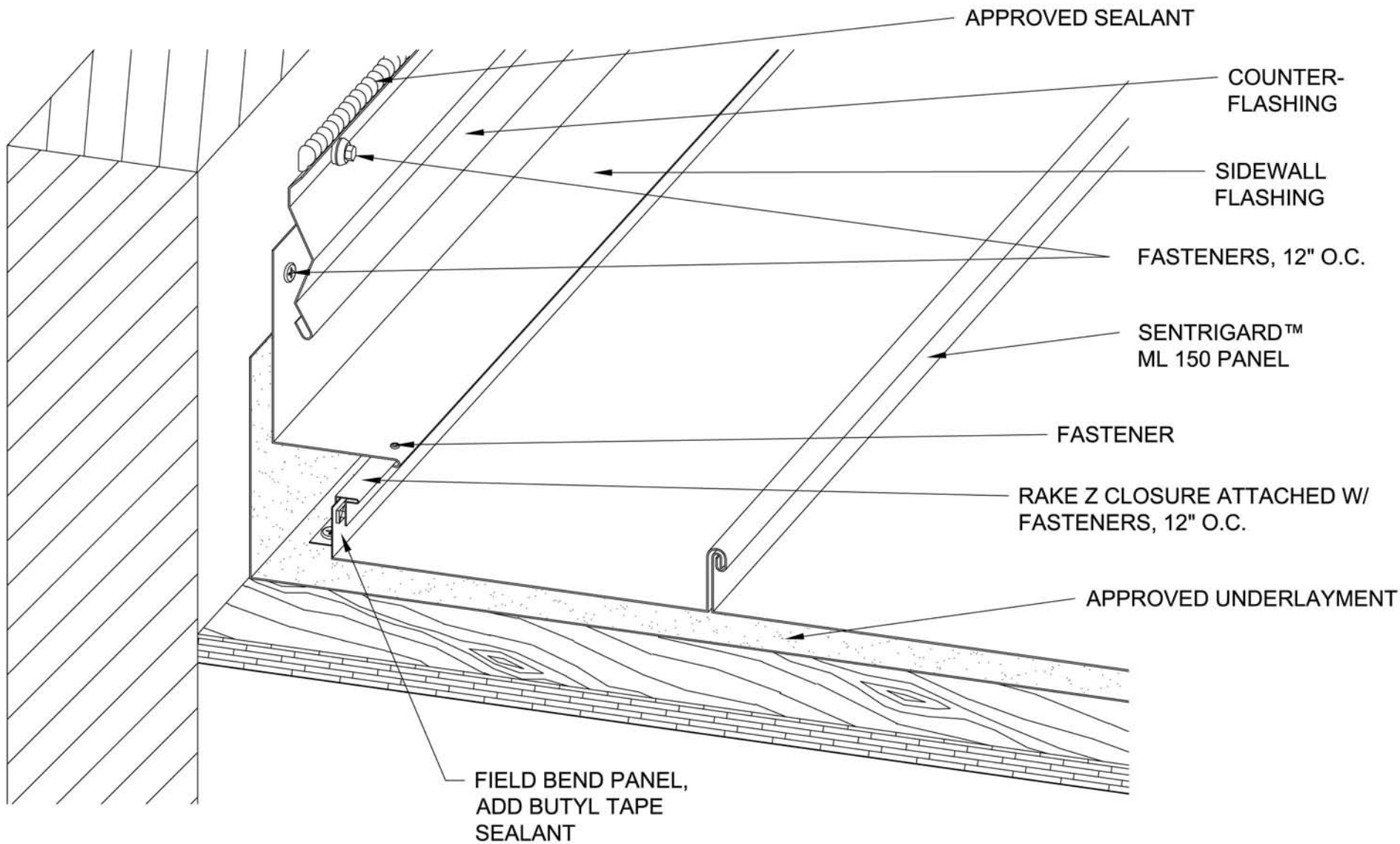
201 Red Oaks Way

Ridgeland, SC 29936

tel: 843-208-2433 • fax: 843-208-2430

SENTRIGARD ML 150

P-1



Project:

Contractor:

Designer:

Date:

Scale:
N/A

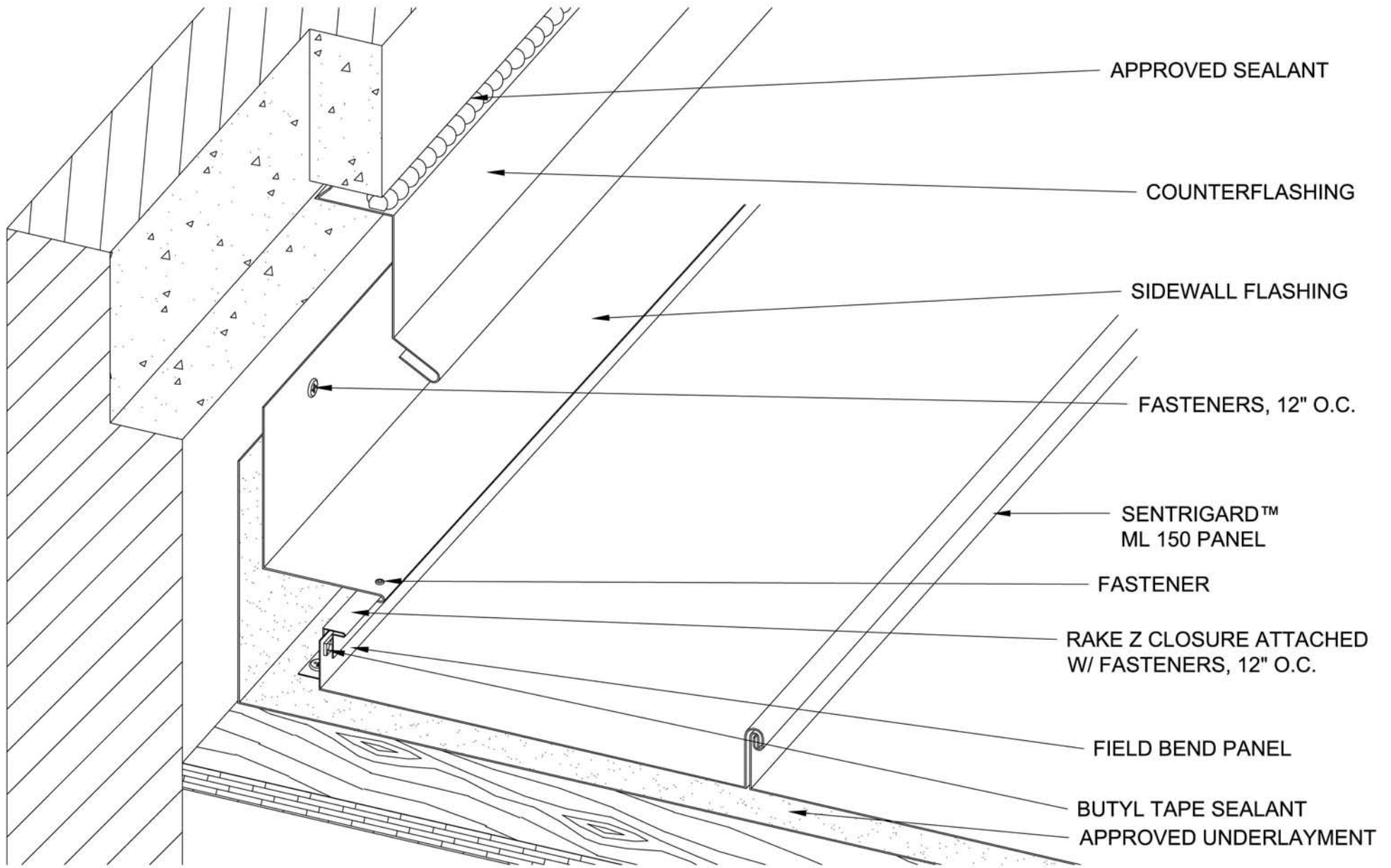
THIS DRAWING IS THE PROPERTY OF N.B. HANDY CO., INC. THE USE OF THIS DRAWING WITHOUT THE EXPRESS PERMISSION OF N.B. HANDY IS PROHIBITED.

4M Metals Inc.

201 Red Oaks Way
Ridgeland, SC 29936

tel: 843-208-2433 • fax: 843-208-2430

SENTRIGARD ML 150 SW-1



Project:

Contractor:

Designer:

Date:

Scale:
N/A

THIS DRAWING IS THE
PROPERTY OF N.B. HANDY
CO., INC. THE USE OF THIS
DRAWING WITHOUT THE
EXPRESS PERMISSION OF
N.B. HANDY IS PROHIBITED.

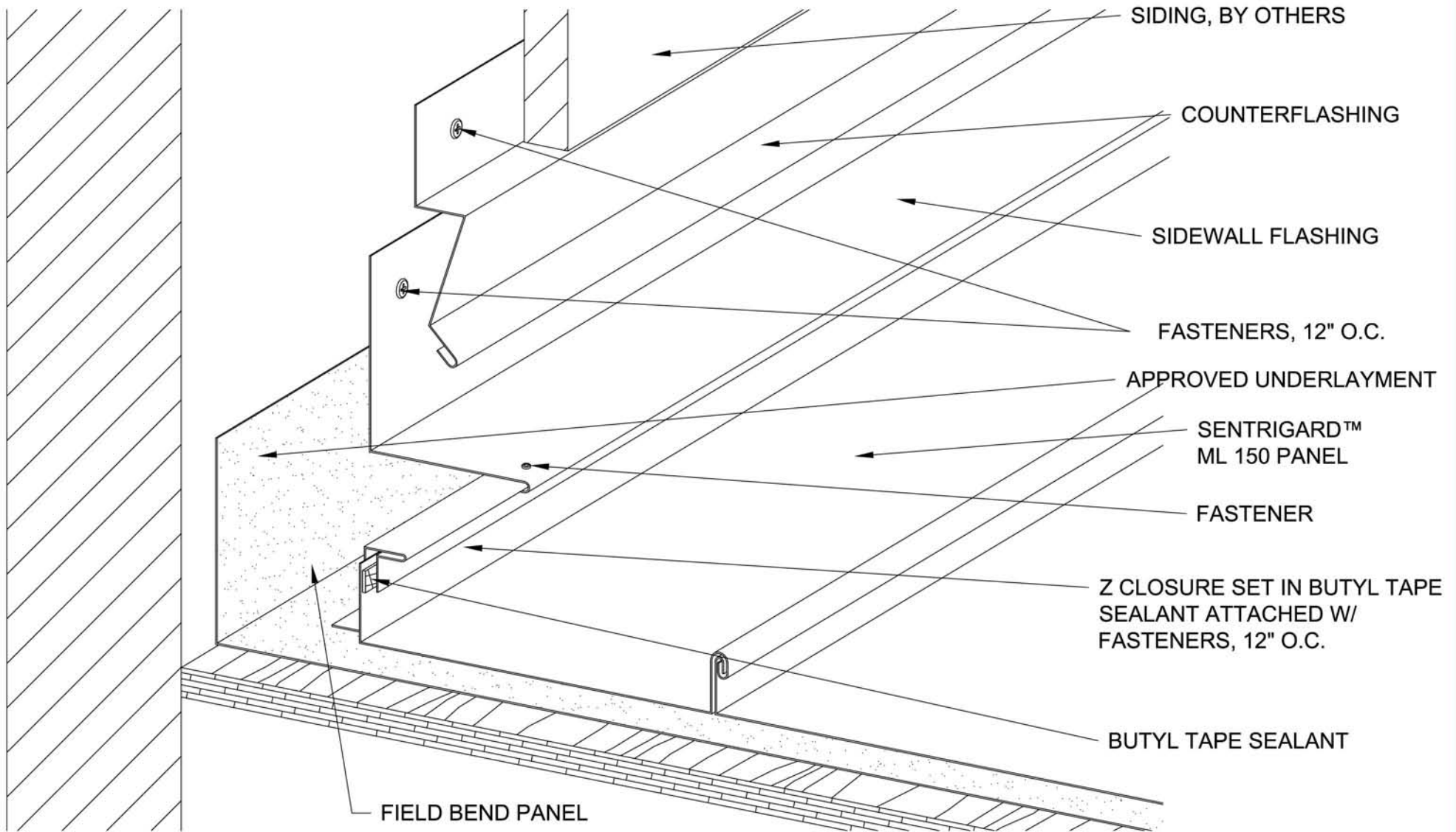
4M Metals Inc.

201 Red Oaks Way

Ridgeland, SC 29936

tel: 843-208-2433 • fax: 843-208-2430

SENTRIGARD ML 150 SW-2



Project:		
Contractor:		
Designer:	Date:	Scale:
		N/A

THIS DRAWING IS THE PROPERTY OF N.B. HANDY CO., INC. THE USE OF THIS DRAWING WITHOUT THE EXPRESS PERMISSION OF N.B. HANDY IS PROHIBITED.

4M Metals Inc.
 201 Red Oaks Way
 Ridgeland, SC 29936
 tel: 843-208-2433 • fax: 843-208-2430

SENTRIGARD ML 150 SW-3